



Overview

The Media Router S2 (CMR-5975) enables the reception of DVB-S and DVB-S2 IP-based multimedia (video, audio and data) content to be delivered over satellite and distributed to remote devices connected to the MR-S2 via an Ethernet LAN.

The MR-S2 is unique, since it provides a DVB-S or DVB-S2 input with an Ethernet output.

Features

- DVB-S and DVB-S2
- L-Band satellite input
- 10/100Base-T Ethernet output
- 1:1 Redundant Operation

Reliable Operations

- No hard drive – All firmware boots from Flash resulting in no moving parts
- High availability product
- Embedded CPU and eCOS operating system
- Over 100,000 MTBF
- 1:1 Redundant support

Ease of Use

- Configuration options: Terminal, HTTP or Telnet
- SNMP LD Private MIB with SNMP v1 traps

Investment Protection

Upgrade firmware individually via TFTP

Compliance

- DVB-S (ETSI EN 300 421)
- DVB-S2 (ETSI EN 302 307)
- DVB Data Broadcasting (ETSI EN 301 192)
- ATSC Data Broadcasting (A/90)
- 10/100Base-T Ethernet (IEEE 802.3u)
- IGMP v2 Support

Display LEDs

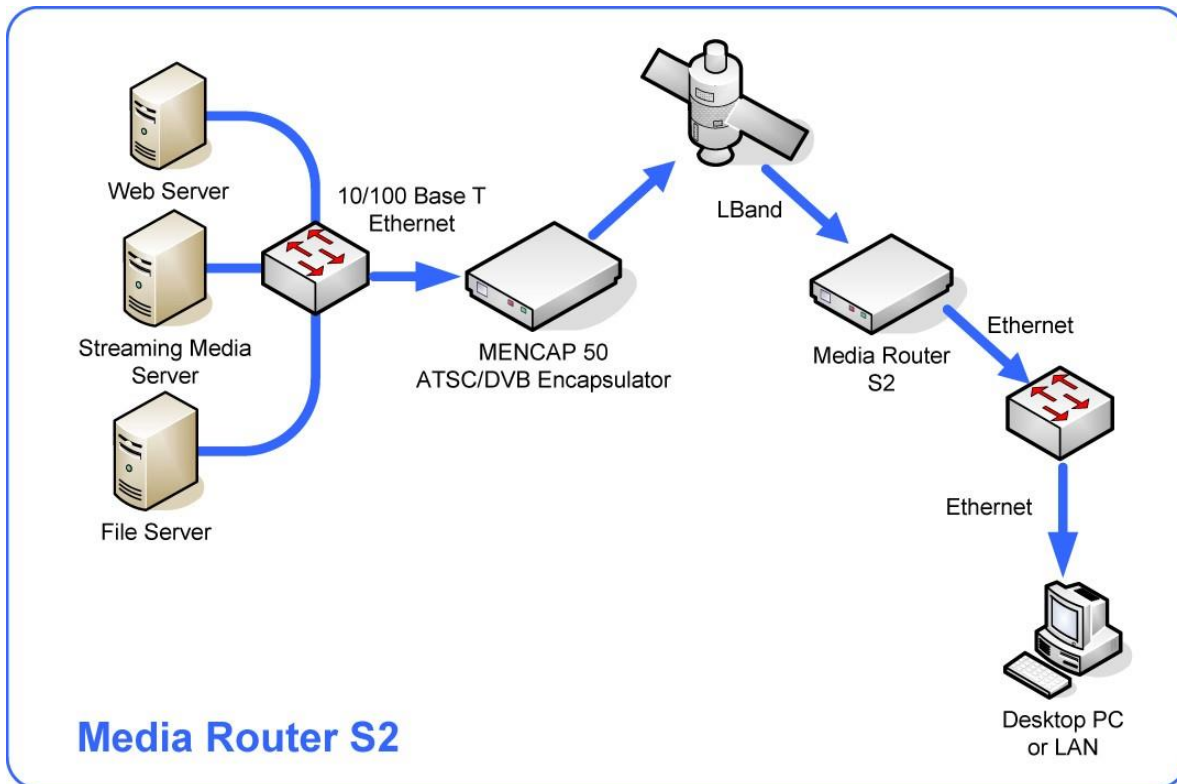
- Power (Blue)
- Ethernet TX (Green)
- Ethernet RX (Green)
- Ethernet Link (Green)
- Ethernet Col (Yellow)
- Carrier Lock (Green)
- Redundancy (Green)
- Alarm (Red)

Typical Users

- Video Distribution Service Providers
- ISPs
- Advertisement Agencies

Common Applications

- Fast Internet / Intranet
- Streaming Audio / Video
- IP Multicasting
- Business TV, training, e-learning or live events
- Multicast file transfer
- Point-to-point Unicast transfer
- Transport stream over IP



Specifications

Physical & Power

Dimensions (height x width x depth)	1.75" x 7.125" x 8.75" (4.4 x 18.10 x 22.23 cm)
Power consumption	25 W maximum
Input Voltage	Universal 100-240 VAC 47 Hz - 63 Hz desktop power supply to 5 VDC @ 5.0 A

Environment

Operating temperature	0° to 40°C
Storage temperature	-30° to 65°C
Humidity	10% to 75% non-condensing

Connectors

RJ-45	10/100Base-T Ethernet interface (IEEE 802.3u)
F-Type	L-Band input
RJ-12	Terminal (RS-232) Aux port for serial control

Operating Range

L-Band input frequency	950 to 2150 MHz
L-Band input power	-65 to -25 dBm
Support for DVB-S	2 to 45 Msps FEC: 1/2, 2/3, 3/4, 5/6, 7/8
Support for DVB-S2	2 to 32 Msps FEC: 1/2, 3/5, 2/3, 3/4, 4/5, 5/6, 8/9, 9/10 QPSK and 8-PSK operation

Optional Equipment

Rack Mount Shelf - TR-1600	1RU 19" rack-mount shelf can house one or two CMR-5975 units
----------------------------	--



10880 Wilshire Blvd Los Angeles CA 90024 USA

Phone: +1.888.315.9545

Email: contact@orbitalconnect.com

<https://store.orbitalconnect.com>

